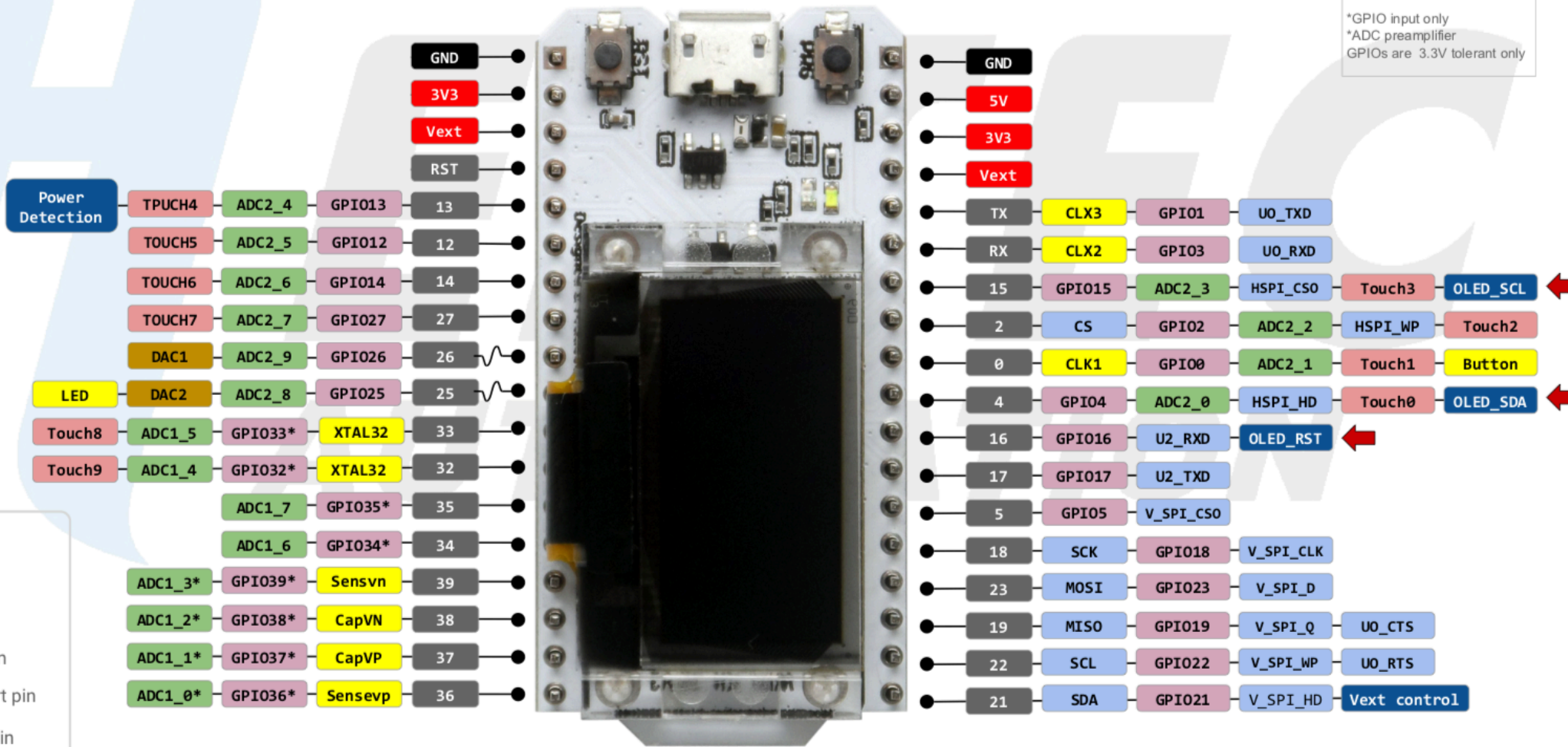


Notes:
 *GPIO input only
 *ADC preamplifier
 GPIOs are 3.3V tolerant only



- GND
- Power
- Control
- Touch Pin
- GPIO Port pin
- Analog Pin
- DAC
- Serial SPI I2C
- Physical Pin
- On-board hardware Pin

WiFi Kit 32